

# IN-STOCK INVENTORY



FOLLOW A LEADER



## O-TYPE BOILER - UP TO 75,000 PPH

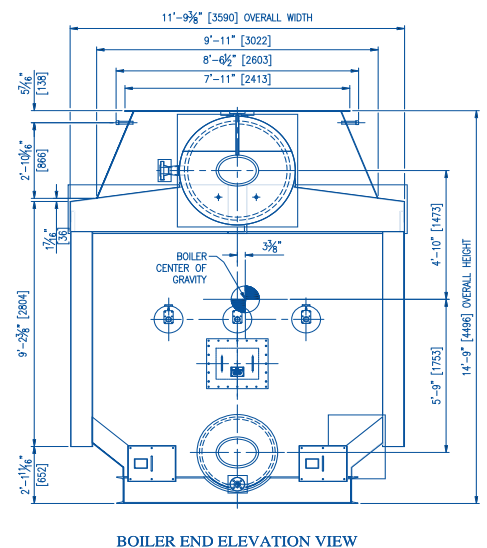
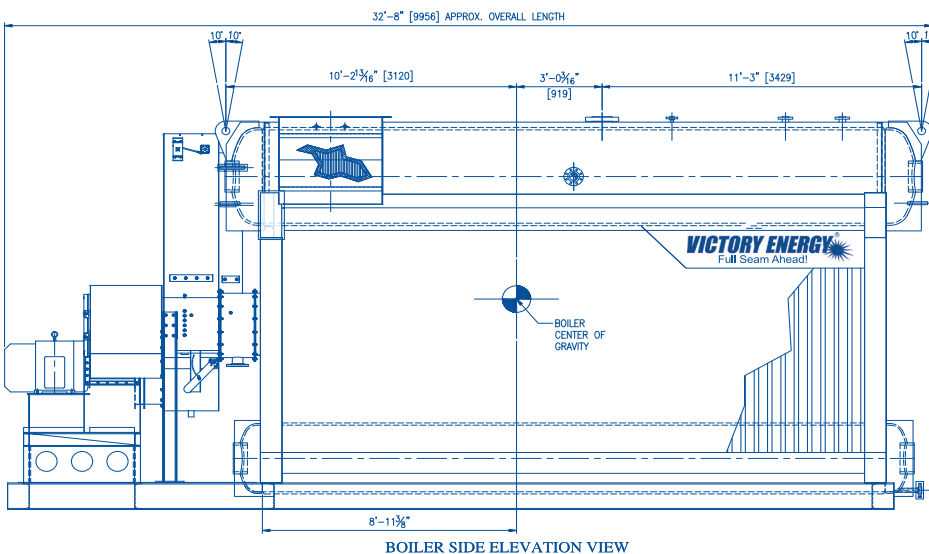
- Model No.: VS-4-57 Saturated
- Unit National Board No.: Available upon request
- Unit Condition: New
- Unit Type: O-Type Watertube
- Shrink Wrapped and Ready to Ship
- Ref#13507

## SPECIFICATIONS

- Design Pressure: 400 PSIG
- Weight (Lbs.) Shipping: 82,300
- Overall Dimensions: (OW x OH x OL): 11'-9"(W) x 14'-9" (H) x 32'-8" (L)
- Fuel Source: Natural Gas

## SCOPE OF SUPPLY

- One (1) VISION Low NOx Burner, with Integral FGR, FD fan, silencer, motor, and VFD.
- One (1) each, Natural Gas Primary and Pilot Trains
- One (1) Fireeye Burner Management System (BMS)
- One (1) PLC-based Combustion Control System (CCS)
- One (1) Lot, Primary Feedwater & Steam Trim
- One (1) Economizer
- One (1) Boiler Instrumentation Package



**1-877-783-2665**

# IN-STOCK INVENTORY



FOLLOW A LEADER



## O-TYPE BOILER - UP TO 37,250 PPH

- Model No.: VS-4-51 Superheated
- Number of Units: Two (2)
- Unit National Board No.: Available upon request
- Unit Condition: New
- Unit Type: O-Type Watertube
- Shrink Wrapped and Ready to Ship
- Ref #12665

## SPECIFICATIONS

- Capacity: 37,250 PPH
- Design Pressure: 1,000 PSIG
- Super Heater Design Temperature: 1,150° F
- Weight (Lbs.) Shipping: 119,600
- Overall Dimensions: (OW x OH x OL): 11' 9"(W) x 14' 8" (H) x 20' 3" (L) (WL to WL)
- Fuel Source: Natural Gas, and/or Produced Gas
- Electrical: Volts / Hertz / Phase: 480 / 60/3
- Drums Have 0.125" Corrosion Allowance

## SCOPE OF SUPPLY

- Allen Bradley CompactLogix
- Coen Company/Todd Combustion/Model ECO-JET
- Motor: 60 hp
- Full Compliment of Trim Items
- Low Emissions: 30ppm NOx, 50 ppm CO Available
- Stub Stack to 50' Finish Elevation
- Economizer / Stack Support Structure
- Transition Ducts
- BFW Heating Coil - Located in Steam Drum
- Boiler Outlet Expansion Joint
- Economizer



# 1-877-783-2665

# IN-STOCK INVENTORY



FOLLOW A LEADER



## HORIZON HRSG 26,314 PPH - UNFIRED UP TO 42,930 PPH

- Model No.: Horizon Series Watertube, Saturated or Superheated
- Number of Units: One (1)
- Unit National Board No.: Available upon request
- Unit Condition: New
- Unit Type: Watertube HRSG
- Shrink Wrapped and Ready to Ship
- Ref #12250

## SPECIFICATIONS

Turbine	Model	Sat. lb/h	S/H lb/h	F.
Siemens	SGT-200	26,314	24,843	510
Siemens	SGT-300	38,211	36,366	498
Siemens	SGT-400	44,950	42,930	493
Solar	Taurus 70	31,900	30,458	493
Solar	Mars 90	38,587	37,164	482

- Design Pressure: 450 PSIG
- Super Heater Design Temperature: 1,150° F
- Weight (Lbs.) Shipping: 94,183
- Overall Dimensions: (OW x OH x OL): 10' 8.5"(W) x 14' 3.5" (H) x 32' 6" (L)(WL to WL)
- Fuel Source: WasteHeat or Turbine Exhaust
- Shrink Wrapped and Ready to Ship

## SCOPE OF SUPPLY

- Full Compliment of Trim Items
- Economizer / Support Structure
- Integral Superheater is Optional
- Boiler Outlet Expansion Joint
- Economizer



**1-877-783-2665**

# IN-STOCK INVENTORY



FOLLOW A LEADER



## HORIZON HRSG STANDARD 50

- Model No.: STD 50
- Number of Units: 2
- Unit Condition: Retubed / Reconditioned
- Unit Type: Waste Heat Boiler
- Shrink Wrapped and Ready to Ship
- Ref #723

## SPECIFICATIONS

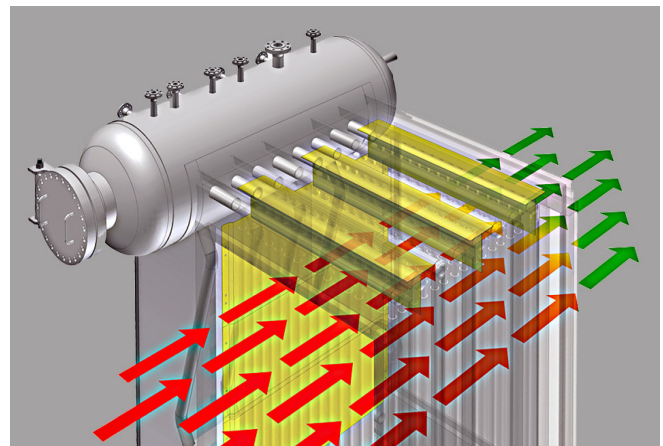
Turbine	Model	lb/h
Siemens*	SGT-300	40,365
Siemens*	SGT-400	47,777
Taurus*	70	33,667
Mars*	90	41,365

\* No duct burner / Saturated

- Design Pressure: 300 PSIG
- Weight (Lbs.) Shipping: 83,000 LBS
- Overall Dimensions: H=17'-10", L=12'-10", W=13'-9"
- Fuel Source: Waste Heat or CT Exhaust

## SCOPE OF SUPPLY

- Waste Heat Boiler (WHB)
- Full Compliment of Trim Items



**1-877-783-2665**

**VICTORY ENERGY**®

**FIRETUBE BOILER / DRYBACK SERIES**

**IN-STOCK INVENTORY**



FOLLOW A LEADER



**70 HP / 3-PASS / 150 PSIG / 2,415 PPH**

■ Two Dryback Units / New / Ref #13665-1 / #13665-2

**200 HP / 3-PASS / 150 PSIG / 6,900 PPH**

■ Two Dryback Units / New / Ref #13665-3 / #13665-4

**1,200 HP / 3-PASS / 250 PSIG / 41,400 PPH**

■ One Dryback Unit / New / Ref #14056

**1,500 HP / 3-PASS / 250 PSIG / 51,750 PPH**

■ One Dryback Unit / New / Ref #14055



**1-877-783-2665**

# IN-STOCK INVENTORY



FOLLOW A LEADER



## ADDITIONAL IN-STOCK FIRETUBE UNITS

---

### 50 HP / 3-PASS / 150 PSIG / 1,725 PPH

■ Two Dryback Units / New / Ref #13484 / #13587

---

### 70 HP / 3-PASS / 150 PSIG / 2,415 PPH

■ Three Dryback Units / New / Ref #13485 / #13868 / #13883

---

### 100 HP / 3-PASS / 150 PSIG / 3,450 PPH

■ Four Dryback Units / New / Ref #13489 / #13891 / #13910 / #13952

---

### 150 HP / 3-PASS / 150 PSIG / 5,175 PPH

■ Three Dryback Units / New / Ref #13762 / #13736 / #13739

---

### 250 HP / 3-PASS / 150 PSIG / 8,625 PPH

■ One Dryback Unit / New / Ref #14123

---

### 300 HP / 3-PASS / 150 PSIG / 10,350 PPH

■ One Dryback Unit / New / Ref #13741

---

### 400 HP / 3-PASS / 150 PSIG / 13,800 PPH

■ One Dryback Unit / New / Ref #13483

---

### 1,000 HP / 3-PASS / 150 PSIG / 34,500 PPH

■ One Dryback Unit / New / Ref #13954

---

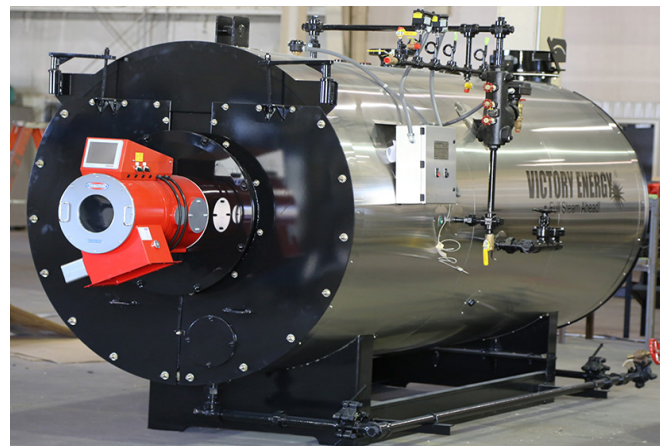
### 1,200 HP / 3-PASS / 150 PSIG / 41,400 PPH

■ One Dryback Unit / New / Ref #14056

---

### 1,500 HP / 3-PASS / 150 PSIG / 51,750 PPH

■ One Dryback Unit / New / Ref #14055



## 1-877-783-2665