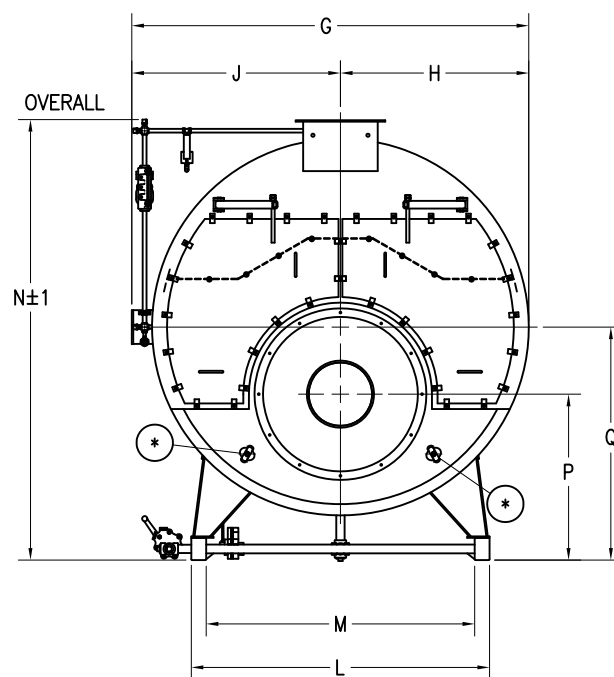
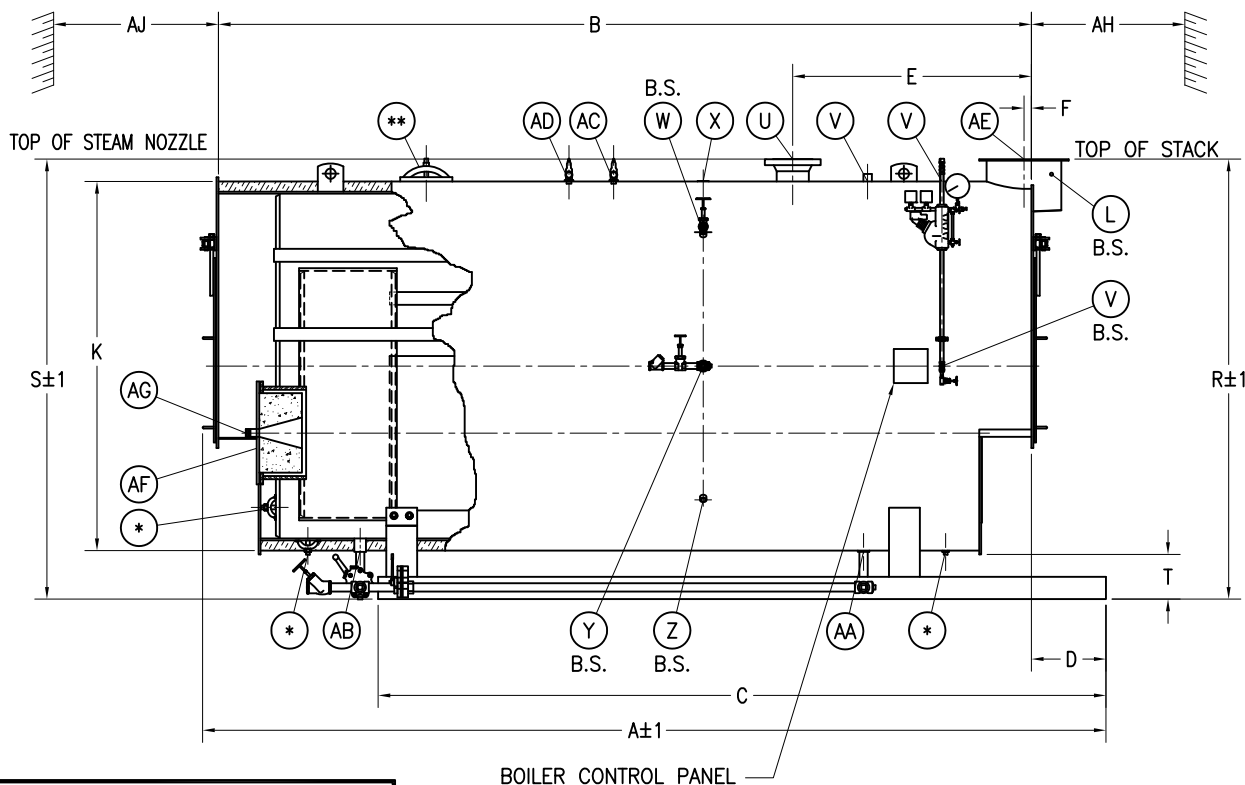




150 PSIG 4-PASS WET BACK  
SCOTCH MARINE BOILER  
DIMENSIONS & DATA CHART



FOR ALL BOILER MODELS	
B.S.	- ON BOTH SIDES OF BOILER
U	- 300# WELDNECK FLG
*	- (5) 3" x 4" HANDHOLE
**	- (1) 12" x 16" MANWAY

DIMENSIONS CHART

BOILER MODEL		F4-200	F4-250	F4-300	F4-350	F4-400	F4-500	F4-600	F4-700	F4-750	F4-800	F4-900	F4-1000	F4-1100	F4-1200	F4-1300	F4-1400	F4-1500
BOILER HORSEPOWER		200	250	300	350	400	500	600	700	750	800	900	1000	1100	1200	1300	1400	1500
HEATING SURFACE (ASME)	(SqFt)	1028	1260	1514	1765	2022	2507	3006	3526	3754	4006	4511	5016	5516	6012	6506	7027	7504
OVERALL LENGTH	A	226"	258"	248"	276"	255"	294"	308"	291"	305"	283"	308"	333"	339"	362"	372"	350"	368"
SHELL LENGTH	B	182"	214"	204"	232"	211"	250"	263"	247"	260 1/2"	239"	264"	289"	295"	318"	327 1/2"	306"	324"
SKID LENGTH	C	179"	211"	202"	230"	208"	247"	260"	239"	253"	153"	257"	282"	295"	318"	327 1/2"	301"	319"
BOILER FRONT TO SKID FRONT	D	40"	40"	40"	40"	40"	40"	40"	40"	40"	40"	40"	40"	40"	40"	40"	40"	40"
BOILER FRONT TO STEAM NOZZLE	E	55"	55"	64"	64"	64"	64"	76"	64"	64"	68"	68"	68"	76"	76"	76"	72"	72"
BOILER FRONT TO STACK C	F	2"	2"	2"	2"	2"	2"	2"	2"	2"	2"	2"	2"	1"	1"	1"	3"	3"
OVERALL WIDTH	G	90"	90"	97"	97"	107"	107"	113"	121"	121"	129"	129"	129"	140"	140"	140"	153"	153"
CENTER TO SMOKEBOX O.D.	H	42"	42"	45"	45"	50 1/2"	50 1/2"	53 1/2"	57 1/2"	57 1/2"	61 1/2"	61 1/2"	61 1/2"	66 1/2"	66 1/2"	66 1/2"	73 1/2"	73 1/2"
CENTER TO PANEL	J	48 1/2"	48 1/2"	52"	52"	57"	57"	60"	64"	64"	68"	68"	68"	73 1/2"	73 1/2"	73 1/2"	80"	80"
JACKET DIAMETER	K	82"	82"	88"	88"	99"	99"	105"	113"	113"	121"	121"	121"	131"	131"	131"	145"	145"
SKID WIDTH OUTSIDE	L	65 1/2"	65 1/2"	70 1/2"	70 1/2"	80"	80"	87"	87"	87"	87"	87"	87"	102"	102"	102"	102"	102"
SKID WIDTH INSIDE	M	57 1/2"	57 1/2"	62 1/2"	62 1/2"	68"	68"	75"	75"	75"	75"	75"	75"	90"	90"	90"	90"	90"
OVERALL HEIGHT	N	102"	102"	108"	108"	118"	118"	125"	133"	133"	144"	144"	144"	154"	154"	154"	168"	168"
FLOOR TO CENTER OF FURNACE	P	39 1/2"	39 1/2"	40 1/2"	40 1/2"	43 1/2"	43 1/2"	45 1/2"	46 1/2"	46 1/2"	50 1/2"	50 1/2"	50 1/2"	53 1/2"	53 1/2"	53 1/2"	57"	57"
FLOOR TO CENTER OF BOILER	Q	54"	54"	57"	57"	62 1/2"	62 1/2"	65 1/2"	69 1/2"	69 1/2"	75 1/2"	75 1/2"	75 1/2"	80 1/2"	80 1/2"	80 1/2"	88"	88"
FLOOR TO STEAM NOZZLE	R	100"	100"	107"	107"	118"	118"	124"	132"	132"	142"	142"	142"	152"	152"	152"	167"	167"
FLOOR TO STACK OUTLET	S	100"	100"	107"	107"	118"	118"	124"	132"	132"	142"	142"	142"	152"	152"	152"	167"	167"
FLOOR TO BOTTOM OF SMOKEBOX	T	12"	12"	12"	12"	12"	12"	12"	12"	12"	14"	14"	14"	14"	14"	14"	14 1/2"	14 1/2"
STEAM NOZZLE CONNECTION	U	6"	6"	6"	6"	6"	6"	8"	8"	8"	8"	8"	8"	10"	10"	10"	10"	10"
AUXILLARY CONNECTION	V	1"	1"	1"	1"	1"	1"	1"	1"	1"	1"	1"	1"	1"	1"	1"	1"	1"
SURFACE BLOWDOWN CONNECTION	W	1"	1"	1"	1"	1"	1"	1"	1"	1"	1"	1"	1"	1"	1"	1"	1"	1"
VENT CONNECTION	X	2"	2"	2"	2"	2"	2"	2"	2"	2"	2"	2"	2"	2"	2"	2"	2"	2"
FEEDWATER CONNECTION	Y	2"	2"	2"	2"	2"	2"	2"	2"	2"	2"	2"	2"	3"	3"	3"	3"	3"
LOW FIRE HOLD CONNECTION	Z	1"	1"	1"	1"	1"	1"	1"	1"	1"	1"	1"	1"	1"	1"	1"	1"	1"
BLOWDOWN FRONT CONNECTION	AA	1 1/4"	1 1/4"	1 1/2"	1 1/2"	1 1/2"	1 1/2"	1 1/2"	2"	2"	2"	2"	2"	2"	2"	2"	2"	2"
BLOWDOWN REAR CONNECTION	AB	1 1/4"	1 1/4"	1 1/2"	1 1/2"	1 1/2"	1 1/2"	1 1/2"	2"	2"	2"	2"	2"	2"	2"	2"	2"	2"
SAFTEY VALVE CONNECTION	AC																	
SAFTEY VALVE CONNECTION	AD																	
FLANGED STACK I.D.	AE	20"	20"	24"	24"	24"	24"	26"	26"	26"	26"	26"	26"	28"	28"	28"	36"	36"
CLEAN OUT PORT	AF	18"	18"	18"	18"	18"	18"	18"	18"	18"	18"	18"	18"	18"	18"	18"	18"	18"
SIGHT PORT CONNECTION	AG	1"	1"	1"	1"	1"	1"	1"	1"	1"	1"	1"	1"	1"	1"	1"	1"	1"
MIN. TUBE REMOVAL FRONT	AH	166"	198"	188"	216"	196"	235"	248"	231"	245"	223"	248"	273"	280"	302"	312"	290"	308"
MIN. TUBE REMOVAL REAR	AJ	166"	198"	188"	216"	196"	235"	248"	231"	245"	223"	248"	273"	280"	302"	312"	290"	308"

DATA CHART

GROSS OUTPUT (MBH)	6695	8369	10043	11716	13390	16738	20085	23433	25106	26780	30128	33475	36823	40170	43518	46865	50213
STEAM OUTPUT (FROM & 212 °F) (LBS/HR)	6900	8625	10350	12075	13800	17250	20700	24150	25875	27600	31050	34500	37950	41400	44850	48300	51750
RATED INPUT (MBH)	8369	10461	12553	14645	16738	20922	25106	29291	31383	33475	37659	41844	46028	50213	54397	58581	62766
FURNACE VOLUME (CuFt)	64.17	81.40	86.06	102.67	121.48	152.98	176.63	194.85	209.28	217.25	248.42	278.26	306.58	337.20	349.85	416.18	445.96
TURNAROUND VOLUME (CuFt)	42.09	42.09	39.13	39.13	56.43	56.43	63.47	69.57	69.57	82.98	82.98	82.98	95.41	95.41	95.41	127.76	127.76
STEAM VOLUME (CuFt)	31.36	38.12	42.99	50.05	70.17	85.42	109.56	125.86	133.82	136.19	152.76	169.32	167.86	182.62	188.72	362.29	386.22
STEAM RELEASE AREA (SqFt)	53.81	65.40	67.12	78.14	84.50	102.85	117.41	119.85	127.42	123.01	137.98	152.94	160.83	174.97	180.82	214.56	228.73
GALLONS OF WATER FULL (Gal)	1786	2202	2439	2859	3227	3951	4741	5005	5335	5461	6154	6847	8748	9545	9751	11085	11841
GALLONS OF WATER @ NWL (Gal)	1552	1917	2117	2485	2702	3312	3922	4064	4334	4443	5012	5581	7493	8179	8339	8375	8952
POUNDS OF WATER FULL (Lbs)	14857	18314	20283	23783	26841	32860	39434	41632	44372	45427	51190	56954	72766	79394	81104	92202	98491
POUNDS OF WATER @ NWL (Lbs)	12905	15942	17608	20669	22475	27545	32618	33801	36045	36953	41686	46419	62322	68031	69361	69660	74460
SHIPPING WEIGHT WITHOUT BURNER (Lbs)	20,800	24,100	26,100	29,400	33,600	39,400	45,400	48,800	51,100	55,400	60,400	66,600	74,500	79,600	83,100	91,900	97,700

- NOTES:
- VICTORY ENERGY, L.L.C. RESERVES THE RIGHT TO CHANGE DIMENSION DUE TO PRODUCT REVISION OR JOB REQUIREMENTS.
  - PRELIMINARY DIMENSIONS AND MAY BE USED FOR LAYOUT ONLY.
  - BOILER INSULATED WITH 2"-8# DENSITY MINERAL FIBER INSULATION WITH 22 GAUGE STEEL JACKET.

THIS DESIGN OR DRAWING IS NOT SOLD AND IS SUBJECT TO RECALL. REPRODUCTION OR COPYING RIGHTS ARE RESERVED SOLELY TO VICTORY ENERGY OPERATIONS, L.L.C. THE DRAWING HAS BEEN DELIVERED AND RECEIVED ON THE EXPRESSED CONDITIONS THAT IT IS NOT USED IN ANY WAY AGAINST THE INTERESTS AND BENEFITS OF VICTORY ENERGY OPERATIONS, L.L.C., AND THAT THIS DRAWING AND ALL COPIES OF IT WILL BE RETURNED TO VICTORY ENERGY OPERATIONS, L.L.C. IMMEDIATELY UPON DEMAND, AND THAT ALL INFORMATION DISCLOSED BY THIS DRAWING TO THE HOLDER SHALL BE HELD IN CONFIDENCE.